

MATERIAL SPECIFICATION SHEET



1/2" x 3/8" Supply Valves – Lead-Free

Our supply valves are designed for reliable flow control in residential and commercial applications. Manufactured from durable brass with a chrome finish, each valve features a flat metal handle. Available in straight and angle configurations with press, sweat, and compression connections, these valves offer flexible installation options to suit a variety of plumbing requirements.

Product Information:

- **Sizes:** 1/2" to 3/8"
- **Material:** Chrome-plated lead-free brass
- **Maximum Working Pressure:** 850 kPa (125 PSI)
- **Operating temperature:** 0°C – 71.1°C (32°F – 160°F)
- **Flow Control:** 1/4" Turn
- **Listed with IAPMO R&T**
- **Certification:** ASME A112.18.1/CSA B125.1, ASME A112.4.14/CSA B125.14, NSF/ANSI 14, NSF/ANSI/CAN 61, NSF/ANSI/CAN 372



SWT x Comp.
Straight Valve



PRESS x Comp.
Straight Valve



SWT x Comp.
Angle Valve



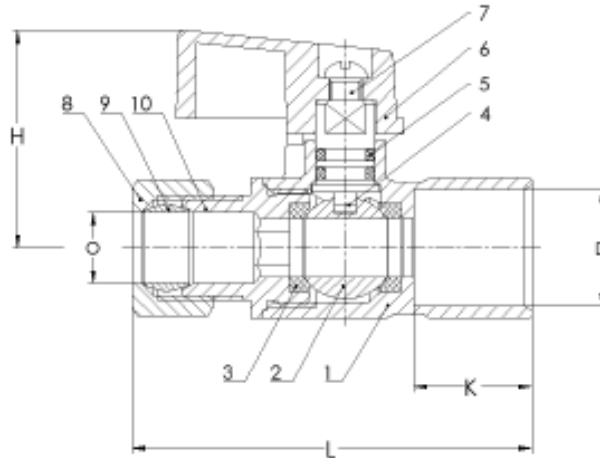
PRESS x Comp.
Angle Valve



MATERIAL SPECIFICATION SHEET



1/2" x 3/8" Straight Supply Valves – Lead-Free Sweat by Compression



Supply Valve Dimensions

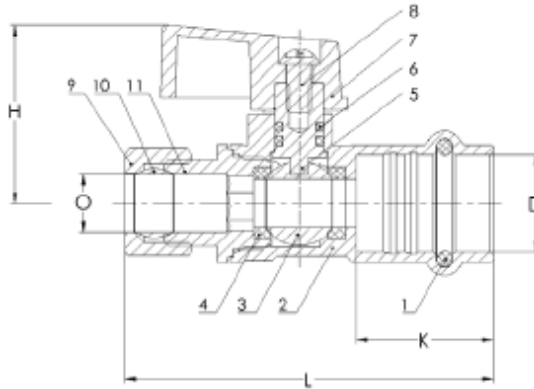
CB Supplies Part #	Size (in.)	H (in.)	L (in.)	O (in.)	D (in.)	K (in.)
702014074NL-Z	1/2 x 3/8	1.162	2.138	0.382	0.631	0.630

Material Specifications			
NO.	Part	QTY	Material
1	Body	1	C46500
2	Ball	1	C46500
3	Seal Seat	2	PTFE
4	Stem	1	C46500
5	O-Ring	2	EPDM
6	Handle	1	Zinc Alloy
7	Screw	1	AISI201
8	Nut	1	C37700
9	Cutting Sleeve	1	H65
10	Bonnet	1	C46500

MATERIAL SPECIFICATION SHEET



1/2" x 3/8" Straight Supply Valves – Lead-Free PRESS by Compression



Supply Valve Dimensions

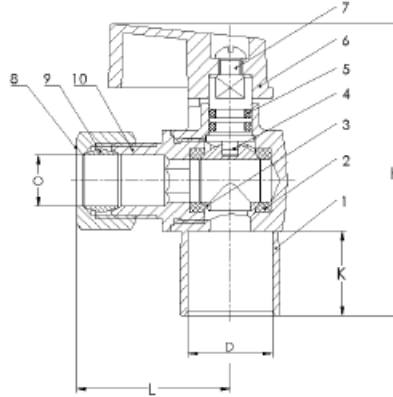
CB Supplies Part #	Size (in.)	H (in.)	L (in.)	O (in.)	D (in.)	K (in.)
702012074NL-Z	1/2 x 3/8	1.162	2.394	0.382	0.634	0.886

Material Specifications			
NO.	Part	QTY	Material
1	O-Ring	1	EPDM
2	Body	1	C46500
3	Ball	1	C46500
4	Seal Seat	2	PTFE
5	Stem	1	C46500
6	O-Ring	2	EPDM
7	Handle	1	Zinc Alloy
8	Screw	1	AISI201
9	Nut	1	C37700
10	Cutting Sleeve	1	H65
11	Bonnet	1	C46500

MATERIAL SPECIFICATION SHEET



1/2" x 3/8" Angle Supply Valves – Lead-Free Sweat by Compression



Supply Valve Dimensions

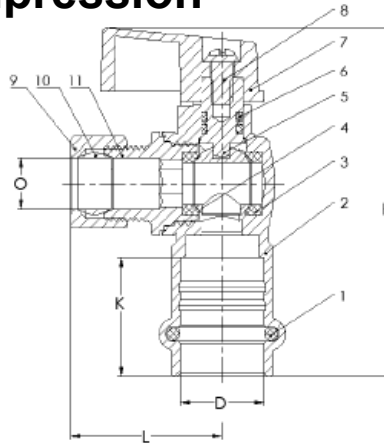
CB Supplies Part #	Size (in.)	H (in.)	L (in.)	O (in.)	D (in.)	K (in.)
702024074NL-Z	1/2 x 3/8	2.165	1.142	0.382	0.631	0.630

Material Specifications			
NO.	Part	QTY	Material
1	Body	1	C46500
2	Seal Seat	2	PTFE
3	Ball	1	C46500
4	Stem	1	C46500
5	O-Ring	2	EPDM
6	Handle	1	Zinc Alloy
7	Screw	1	AISI201
8	Nut	1	C37700
9	Cutting Sleeve	1	H65
10	Bonnet	1	C46500

MATERIAL SPECIFICATION SHEET



1/2" x 3/8" Angle Supply Valves – Lead-Free PRESS by Compression



Supply Valve Dimensions

CB Supplies Part #	Size (in.)	H (in.)	L (in.)	O (in.)	D (in.)	K (in.)
702022074NL-Z	1/2 x 3/8	2.598	1.142	0.382	0.634	0.886

Material Specifications			
NO.	Part	QTY	Material
1	O-Ring	1	EPDM
2	Body	1	C46500
3	Seal Seat	2	PTFE
4	Ball	1	C46500
5	Stem	1	C46500
6	O-Ring	2	EPDM
7	Handle	1	Zinc Alloy
8	Screw	1	AISI201
9	Nut	1	C37700
10	Cutting Sleeve	1	H65
11	Bonnet	1	C46500