

## MATERIAL SPECIFICATION SHEET

### Copper Press Dielectric Union



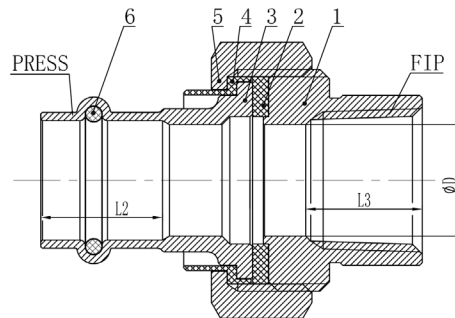
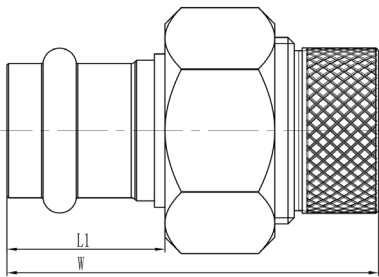
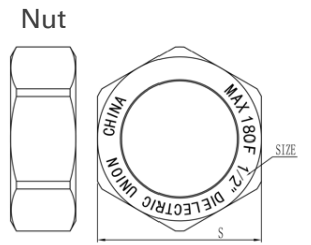
Designed to separate dissimilar metals in plumbing systems, these unions effectively prevent galvanic corrosion by acting as a protective barrier between the metals. This crucial function ensures the longevity and reliability of the piping system, safeguarding against the damaging effects of galvanic and stray current.

- Available in 1/2" through 2"
- For use with copper, brass, and iron pipes for oil, gas, water, and air lines
- Precision-manufactured tapered pipe threads
- Meets NSF/ANSI/CAN 372 standards for lead-free fittings



#### Material List

No.	Item	Material
1	Female Fitting	Zinc-Plated Steel
2	Gasket	EPDM
3	Press Fitting	Brass C46500
4	Ring	PE
5	Nut	Zinc-Plated Steel
6	O-Ring	EPDM



#### Dielectric Unions | Part # | Size

Part #	Size (Inches)	DN (mm)	W (mm)	L1 (mm)	L2 (mm)	L3 (mm)	S
100288005	1/2"	15	62.9	29.2	18	15.4	40
100288007	3/4"	21	72	32.2	23	21	46
100288010	1"	28	76.5	32	23.5	25	54
100288012	1-1/4"	32	82.5	31.5	26	28	63
100288015	1-1/2"	42	87.5	36	36	30	74
100288020	2"	53	102	46.5	45	32	88