

MATERIAL SPECIFICATION SHEET



CB-131 Split Ring Hanger - Hinged

SIZE RANGE:

1/2" through 4" pipe sizes

MATERIAL:

Zinc Plated Malleable Iron

APPLICATION:

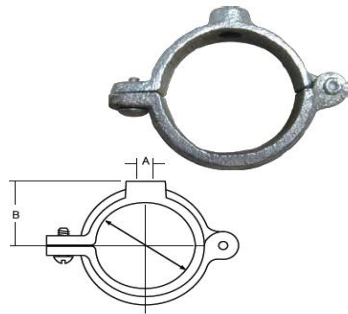
Designed for suspending non-insulated pipe horizontally

ORDERING:

Specify figure number and pipe size.

APPROVALS:

Complies with Manufacturers Standardization Society SP-69 Type 12



Part Number	Size	"A"	"B"	Max Rec Load
39-01-29-005	1/2	3/8	7/8	180
39-01-29-007	3/4	3/8	1	180
39-01-29-010	1	3/8	1-7/64	180
39-01-29-012	1-1/4	3/8	1-5/16	180
39-01-29-015	1-1/2	3/8	1-17/32	180
39-01-29-020	2	3/8	1-11/16	180
39-01-29-025	2-1/2	1/2	2-1/8	300
39-01-29-030	3	1/2	2-7/16	300
39-01-29-040	4	1/2	3	300